

Online session

SUNDAY 10 MAY

JESUS IS...

The Light of the World!

How many lights do you have in your house?

Could you count how many there are in just one room?

Have you ever seen bright lights shining at night?

When it is really dark, you can see lights from far away.

Jesus says that we can be like bright lights at night. He said that we can have his light inside of us!

When we do things to show God that we love him, we are like a bright light shining in the dark!

When we show people God's love by caring for them, saying a prayer for them and being kind, we are spreading God's light to those around us.

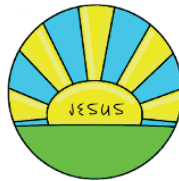
- Is God's light living inside of you?
- Who could you share God's light with this week?
- Remember not to be afraid as Jesus is the light of the whole world!

MEMORY VERSE



Jesus said **"I am the LIGHT of the WORLD"**

John 8:12

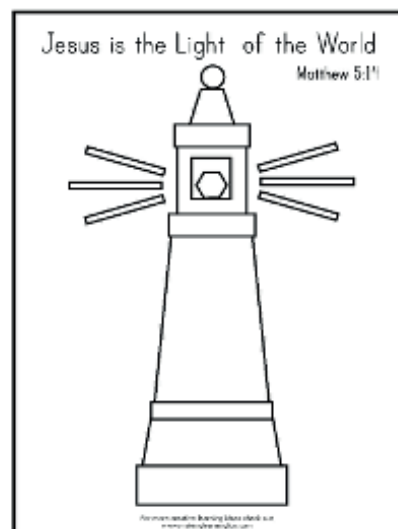


LIGHT OF THE WORLD!

Listen to Howie and AJ as they talk to us and sing, teaching us that Jesus is the light of the world... maybe you would like to sing along with them!

[Click here!](#)

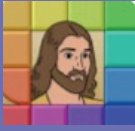
COLOURING PICTURE



[Click here to download!](#)

WE LIKE:

My first Bible Games for Kids



Designed for 0-6 year olds, this App contains 60 bible stories, each one with a movie, 3 activities and 3 games.

A great activity for parents and little ones to do together.

Craft Time

Follow this easy video to make a paper lantern!

You could decorate it and add a handle too!

[Click here!](#)

Each time you see your lantern, it will remind you that Jesus is the light of the whole world!



GAME TIME - FOLLOW THE LIGHT



Jesus tells us to follow him so that we won't be in the dark! This is a fun game that the whole family can play. Have some phrases in a bag, each person picks one out and they have to do the action, everyone else must follow them! Possible ideas;

- Shake hands
- Do a roly poly
- Stand really tall
- Salute each other
- Curl into a ball
- Do 5 star jumps

Take turns to be the LIGHT that everyone follows!

PRAISE AND PRAYER

Let's have fun PRAISING Jesus, singing and dancing to these two songs

[Click here!](#)

[Click here!](#)

Let's pray together;

Lord Jesus, thank you that you are the LIGHT that shows us the way. Please help me to be your LIGHT to those around me too! Amen

Next week's craft: You will need - A paper plate, cotton wool and black card.



KINGSGATE COMMUNITY CHURCH
2 STAPLEE WAY / PETERBOROUGH / PE1 4YT
KINGSGATE.CHURCH